

CABLE 305 RF: RF CABLE ASSEMBLY, SMA R/A PLUG + SMA STRAIGHT BULKHEAD JACK WITH O-RING RATED TO IP67/68 + MULTIPLE CABLE SIZES

SPECIFICATIONS :

1. SMA RIGHT ANGLE PLUG, P/N FOR RG178 CABLE: RFCT-SMA025-M78, P/N FOR ϕ 1.37MM CABLE: RFCT-SMA044-M37. P/N FOR ϕ 1.13MM LL CABLE: RFCT-SMA070-M13.
2. COAXIAL CABLE, SEE P/N FOR DETAIL.
3. SMA STRAIGHT BULKHEAD JACK WITH O-RING RATED TO IP67/68, P/N: RFCT-SMA002-F78.

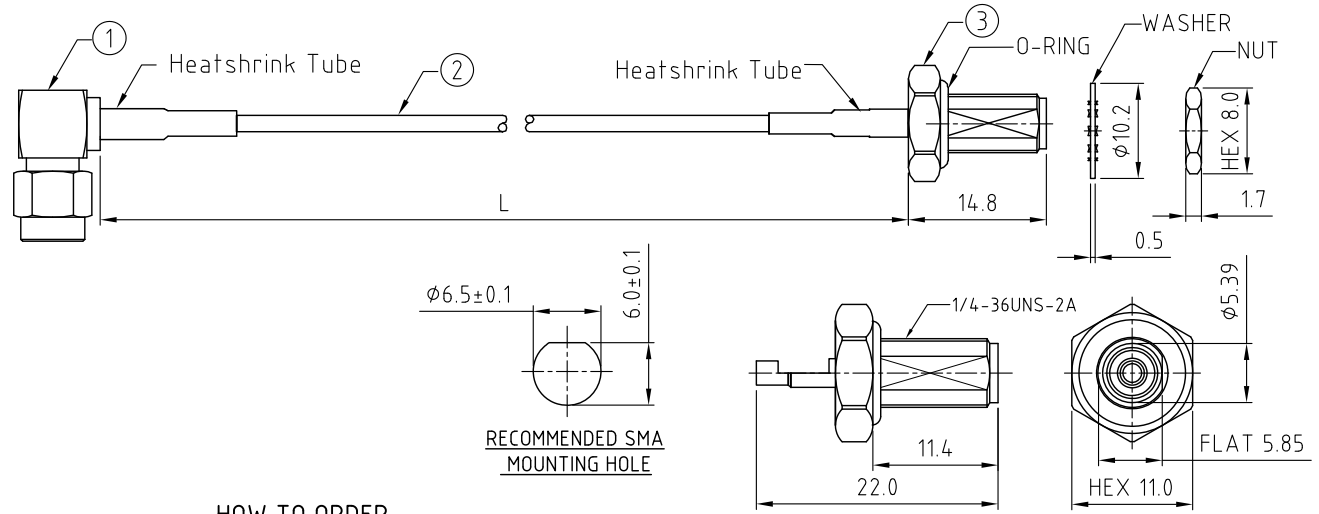
USAGE PRECAUTIONS: CABLES USING 'MICRO' COAX ARE DELICATE:
 (i) HANDLE WITH CARE.
 (ii) DO NOT TWIST; APPLY EXCESSIVE FORCES OR SHARP BENDS TO THE CABLE. DO NOT FORCEFULLY DEFORM WIRES.
 (iii) CONSULT CONNECTOR MANUFACTURER'S DATASHEETS FOR DETAILED NOTES ON HANDLING INSTRUCTIONS.

ENVIRONMENTAL:

- A. BULKHEAD MOUNTED CONNECTOR (RFCT-SMA002-F78) TESTED TO THE FOLLOWING SPECIFICATION:
- i. IP6X - DUST TIGHT - NO PARTICLE INGRESS.
 - ii. IPX7 WATERPROOF FOR 30 MINUTES UP TO 1 METER UNDERWATER.
 - iii. IPX8 WATERPROOF FOR 48 HOURS AT 1 METER UNDERWATER.
 - iv. IPX8 WATERPROOF FOR 12 HOURS AT 5 METERS UNDERWATER.
 - v. PRESSURE TEST - 1 BAR FOR 10 SECONDS.

NOTES:

1. THE ORIENTATION OF CONNECTORS ON DRAWING IS FOR REFERENCE ONLY, IF THE ORDER IS LEFT BLANK THE CONNECTOR WILL NOT HAVE FIXED ORIENTATION.
2. FIXED ORIENTATION IS SUGGESTED FOR CABLE LENGTH 50MM TO 100MM. PLEASE SPECIFY THE FIXED ORIENTATIONS FROM THE ORDER CODE (F1, F2, ETC)
3. CONTACT GRAD CONN IF THE ORIENTATION YOU REQUIRE IS NOT SHOWN.
4. WORKING FREQUENCY RANGE: DC-3GHz.
5. OPERATING TEMPERATURE: -40°C ~ +125°C.
6. IMPEDANCE: 50 OHM.



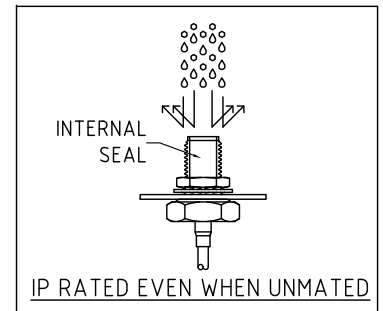
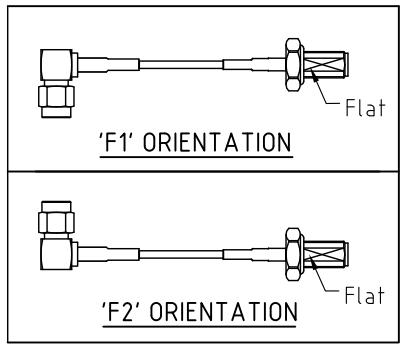
HOW TO ORDER
 CABLE 305 RF - X X X X - X X - X - X

"L" LENGTH IN MM:
 eg: 100MM = 0100
 (MIN. 0050-MAX.2000)
 STANDARD = 0100, 0150, 0200)
 Tolerance: <50mm: ±2mm.
 51-200mm: ±5mm.
 201-500mm: ±7mm.
 >501mm: ±10mm.

CABLE SIZE OPTIONS:
 1 = RG178 CABLE, COLOR: BROWN.
 2 = ϕ 1.37MM CABLE, COLOR: BLACK.
 3 = ϕ 1.13MM LOW LOSS CABLE, COLOR: GRAY.

WASHER AND NUT OPTIONS:
 BLANK = SEPARATELY PACKED (STANDARD)
 A = ALL ASSEMBLED WITH CONNECTOR

ORIENTATION OPTIONS:
 BLANK = DOES NOT HAVE A FIXED ORIENTATION
 F1 = SMA PLUG CONNECTION DOWN (L=50-200MM)
 F2 = SMA PLUG CONNECTION UP (L=50-200MM)
 (SEE NOTES 1, 2, 3 AND DIAGRAMS FOR MORE INFORMATION)



REV.	DATE & DRN
10	02/06/18 - NYW RELEASE
11	17/06/18 - NYW CABLE SIZE OPTION 2.
12	20/07/18 - NYW ADD NOTES 5, 6 & 7.
13	15/01/20 - NYW ADD CABLE SIZE 3 OPTION.
14	24/07/20 - NYW AMEND OPERATING TEMP.
15	10/03/24 - CC ADD IP RATING VIEW

Scale:	NTS	THIRD ANGLE	Unstated Tolerances:
Drawn:	CC		.X N/A .XX N/A .XXX N/A ANGLES N/A
App'd:	XXX	Title	CABLE ASSEMBLY
Date:	17 MAR. '24	Revision:	1.5
		Unit:	mm



IP Rated RF Products
 www.gradconn.com
 THIS DRAWING IS CONFIDENTIAL AND MUST NOT BE COPIED OR DISCLOSED WITHOUT WRITTEN CONSENT

Type:	Cable 305 RF
	CABLE 305 RF
Drawing Number:	
Sheet	1 of 1
Drawing	© E and O E